



International Industry Consultants Pty. Ltd.

ABN 14 058 417 860
Consulting Engineers



A member of sme-Gateway Ltd

J.E. Patterson
B.E., M.I.E.Aust., C.P.Eng

PO Box 622
FYSHWICK ACT 2609
Unit 11, 8-24 Gladstone St
FYSHWICK ACT 2609 Australia

Phone: 61 2 6241 2727
Fax: 61 2 6241 1352
E-mail: iic@iic.com.au
Website: iic.com.au

INSTALLATION AND OPERATION OF AUSTRALIA POST TYPE 2 PROLOGIC L02 SPRING BOLT (SB) TIMELOCK CASH CONTAINERS (IIC 140 L02SB)

The Type 2 L02SB Time lock Cash Container (IIC 140 L02SB) is designed to fit into a recess in Australia Post's standard counter, and is fitted with a SecuRam Prologic L02 Spring Bolt lock (L02SB).

Type 2 TLCC Installation

Four attachment points are provided in the floor of the container. These are designed for 8mm coach bolts installed such that the nuts are inside the container. (See drawing, Figure 4). Following installation of the container cut off any protruding threads and file bolts flush with the surface of the nuts.

Fitting the Battery

- When the container is received the door will be locked and no battery connected.
- Locate the battery compartment (Fig 1) and remove by first pulling the lever out (Fig 2) and sliding out the compartment.
- Install the new 9V battery (provided) by slotting the battery into the carrier compartment (Fig 3).

Note: The battery compartment design ensures it is impossible to install the battery with the incorrect polarity.

- Push the battery compartment back into the entry pad and lock the lever by pushing shut, flush with the entry pad.

You have now successfully powered the lock.

Operating (Opening) the Lock

- Key in the default user combination 111111. The lock will enter a three minute Time Delay period. The LCD display will flash and beep every 15 seconds of the pre-set Time Delay.
- The completion of the Time Delay will be signaled by a double beep.
- At the end of the Time Delay the lock will enter into a one minute Open Window period, the combination should be re-entered during this period.
- The bolt will automatically retract and the door can be opened.

Note: there is no mechanical connection between the Entry Pad and the Lock. It is not necessary to turn the entry pad dial to open the container.



International Industry Consultants Pty. Ltd.

ACN 058 417 860
Consulting Engineers



A member of sme-Gateway Ltd

Fig 1. Locate the battery compartment.

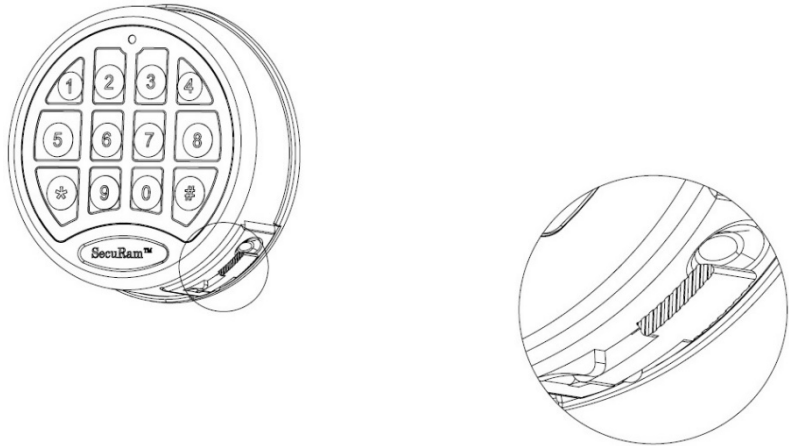


Fig 2. Pull the lever and slide out the compartment.

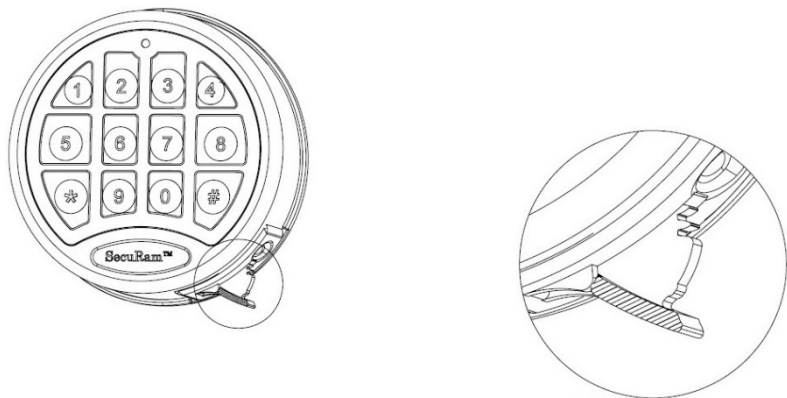
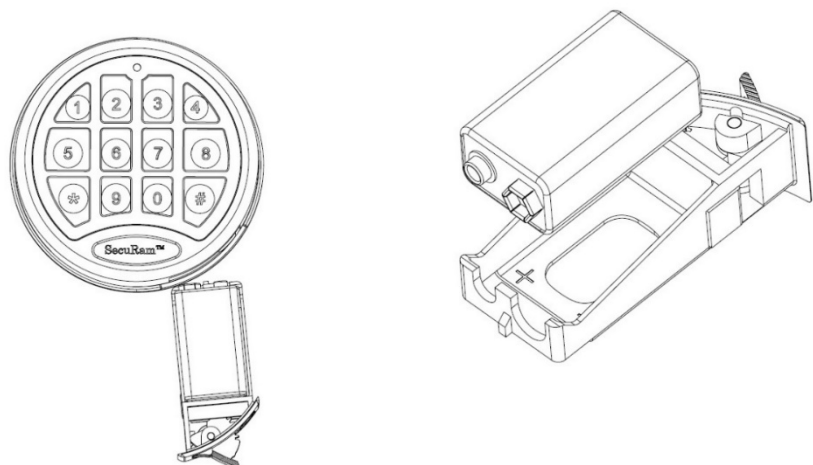


Fig 3. Install a new 9V battery and replace the compartment locking shut the lever.



**International Industry Consultants Pty. Ltd.**ACN 058 417 860
Consulting Engineers

A member of sme-Gateway Ltd

Should there be a problem with the lock during installation, contact International Industry Consultants Pty. Ltd. Phone: (02) 62412727, for advice.

DO NOT ATTEMPT REPAIR – THERE ARE NO FIELD REPAIRABLE COMPONENTS INSIDE THE LOCK AND REMOVING THE LOCK BODY COVER WILL VOID THE PRODUCT WARRANTY.

Closing the Spring Bolt Lock

The spring bolt lock will close automatically. The bolt will extend after 6 seconds from opening, simply slam the door shut to secure the door.

Wrong Try Penalty

The lock will be disabled (lockout) for a period of four minutes after four incorrect combinations are entered. Thereafter, two incorrect combinations will renew the lockout for a further four minutes. The lock will reset only when the correct combination is entered.

Battery

A “Battery Assist indicator” can be viewed on the LCD display at the top right hand corner. The indicator notifies the user of the approximate charge left in the battery. The display will alert low battery when the voltage reaches $6.0 \pm 0.2V$. PLEASE REPLACE THE BATTERY IMMEDIATELY.

When the display alerts low battery, the Entry Pad can only be operated to lock or unlock. Operations, such as enrolling, deleting or time-delay setting, are not permitted.

The battery can be replaced by the user, Duracell MN1604, Duracell Procell PC1604 or Energizer batteries are recommended. These batteries should power the lock for approximately 4000 openings, however it is recommended the batteries are replaced annually.

Warranty

The lock fitted to the container carries a one year replacement warranty. The container carries a two year repair/replacement warranty.

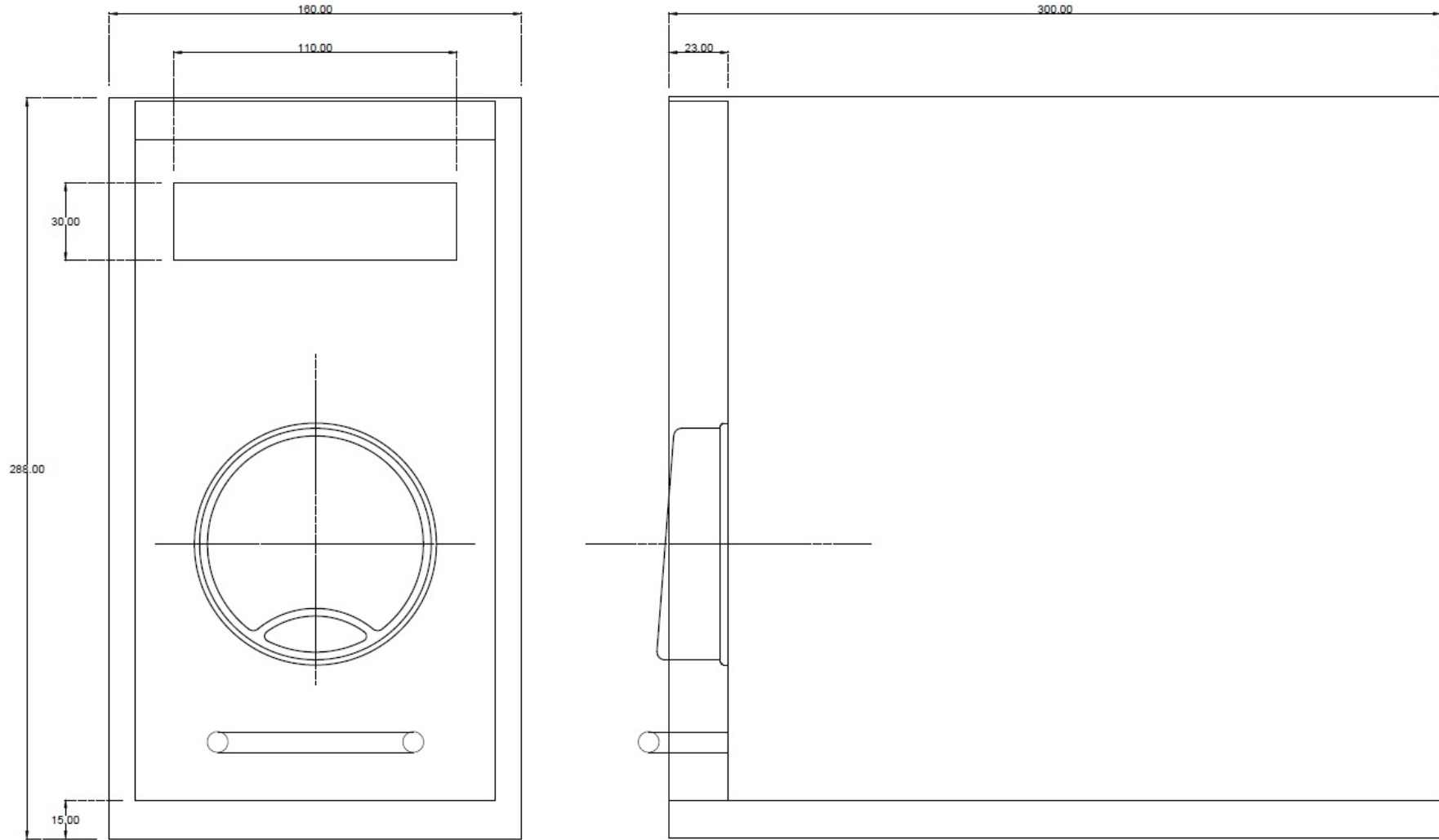


International Industry Consultants Pty. Ltd.

ACN 058 417 860
Consulting Engineers



A member of sme-Gateway Ltd





International Industry Consultants Pty. Ltd.

ACN 058 417 860
Consulting Engineers



A member of sme-Gateway Ltd

BASE MOUNTING HOLES

To ensure accuracy, position container and drill mounting holes from inside of container.

