



International Industry Consultants Pty. Ltd.

ABN 14 058 417 860

Consulting Engineers



A member of sme-Gateway Ltd

J.E. Patterson
B.E., M.I.E.Aust., C.P.Eng

PO Box 622
FYSHWICK ACT 2609
Unit 11, 8-24 Gladstone St
FYSHWICK ACT 2609 Australia

Phone: 61 2 6241 2727
Fax: 61 2 6241 1352
E-mail: iic@iic.com.au
Website: iic.com.au

INSTALLATION AND OPERATION OF AUSTRALIA POST TYPE 1DB TIMELOCK CASH CONTAINERS (TLCC-1DB)

The Type 1DB Timelock Cash Container (TLCC-1DB) is designed to bolt to a counter top, preferably against a vertical panel, and is fitted with a T52 Deadbolt Lock (T52DB).

Type 1 TLCC Installation

Four attachment points are provided in the floor of the container. These are designed for 8mm coach bolts installed such that the nuts are inside the container. (see drawing, Figure 3). Following installation of the container cut off any protruding threads and file bolts flush with the surface of the nuts.

Powering the Lock (Power)

The Deadbolt Lock (T52DB) fitted to the Type 2DB TLCC does not require a battery to power the unit. Instead, the lock is powered by briskly rotating the dial back and forth, clockwise and counter-clockwise. A "Battery Assist" facility is provided by a battery mounted inside the container to power the indicator lights during the time delay period. **This battery is not essential to power the opening of the lock.** A flat battery will not inhibit opening of the lock and will not cause a "lockout" situation. **Note: When the container is first received the door will be locked and no battery installed. Until a battery is installed it may be necessary to Power the lock from time to time to power the indicator lights.**

Operating (Opening) the Lock

- Power the lock
- Key in the user combination 111111. A red light will flash at intervals for the period of the pre-set time delay.
- At the end of the time delay, the red light will stop flashing, Power the lock again and return the dial to the Home position (red quadrant on lock covered, see Figure 1).
- After powering the lock, a green light will flash, with an accompanying beep, for the duration of the one minute opening period.
- During the opening period key in the user combination once more. A green light will flash for about 4 seconds during which time the bolt may be retracted.
- Turn the dial clockwise to retract the bolt and open the door.

Should there be a problem with the lock during installation, contact International Industry Consultants Pty Ltd, Tel. 02 62412727, for advice.

DO NOT ATTEMPT REPAIR – THERE ARE NO FIELD REPAIRABLE COMPONENTS INSIDE THE LOCK AND CUTTING THE YELLOW WARNING TAPE ON THE LOCK MECHANISM BODY WILL VOID THE WARRANTY.



Figure 1 Dial Home Position (red quadrant covered/uncovered)

The ‘Home’ Position

When not in operation the lock should be kept in the ‘Home position’ at all times by keeping the red quadrant covered by the dial.

Closing the Deadbolt Lock

The Deadbolt lock must be closed manually. To close the lock from the open position, turn the dial counter-clockwise until the bolt extends and the door is locked.

Wrong Try Penalty

The lock will be disabled (lockout) for a period of about three minutes after 5 incorrect combinations are entered. Thereafter, each incorrect combination will renew the lockout for a further three minutes. The lock will reset only when the correct combination is entered.

Battery

A “Battery Assist” facility is provided by a battery mounted inside the container to power the indicator lights during the time delay period. When the container is first received the door will be locked and a battery supplied but not installed. Until a battery is installed it may be necessary to Power the lock from time to time to power the indicator lights

Note: The battery is not essential to power the opening of the lock, as a flat battery will not inhibit opening of the lock and will not cause a “lockout” situation.

The battery supplied can be replaced by the user, and Duracell MN1604 or Duracell Procell PC1604 batteries are recommended. The supplied battery may be replaced with a long life 9v Lithium battery (eg. Energiser type LA522 or equivalent) which should last up to 5 times longer.

Safety Note: There are restrictions on the transport of Lithium batteries and the postal network must not be used for this purpose.

Fitting a new battery

Note: The battery is only required to operate the indicator lights during the delay period.

- Operate the Lock and open the door as above.
- The Battery Mounting is on top of the lock body and the battery is connected using the connector with red and white leads (see Figure 2).
- Connect a new battery.
- Place the battery into the Battery Mounting.



Figure 2 Battery Location and Replacement

Warranty

The lock fitted to the container carries a two year replacement warranty.



International Industry Consultants Pty. Ltd.

ACN 058 417 860
Consulting Engineers



A member of sme-Gateway Ltd

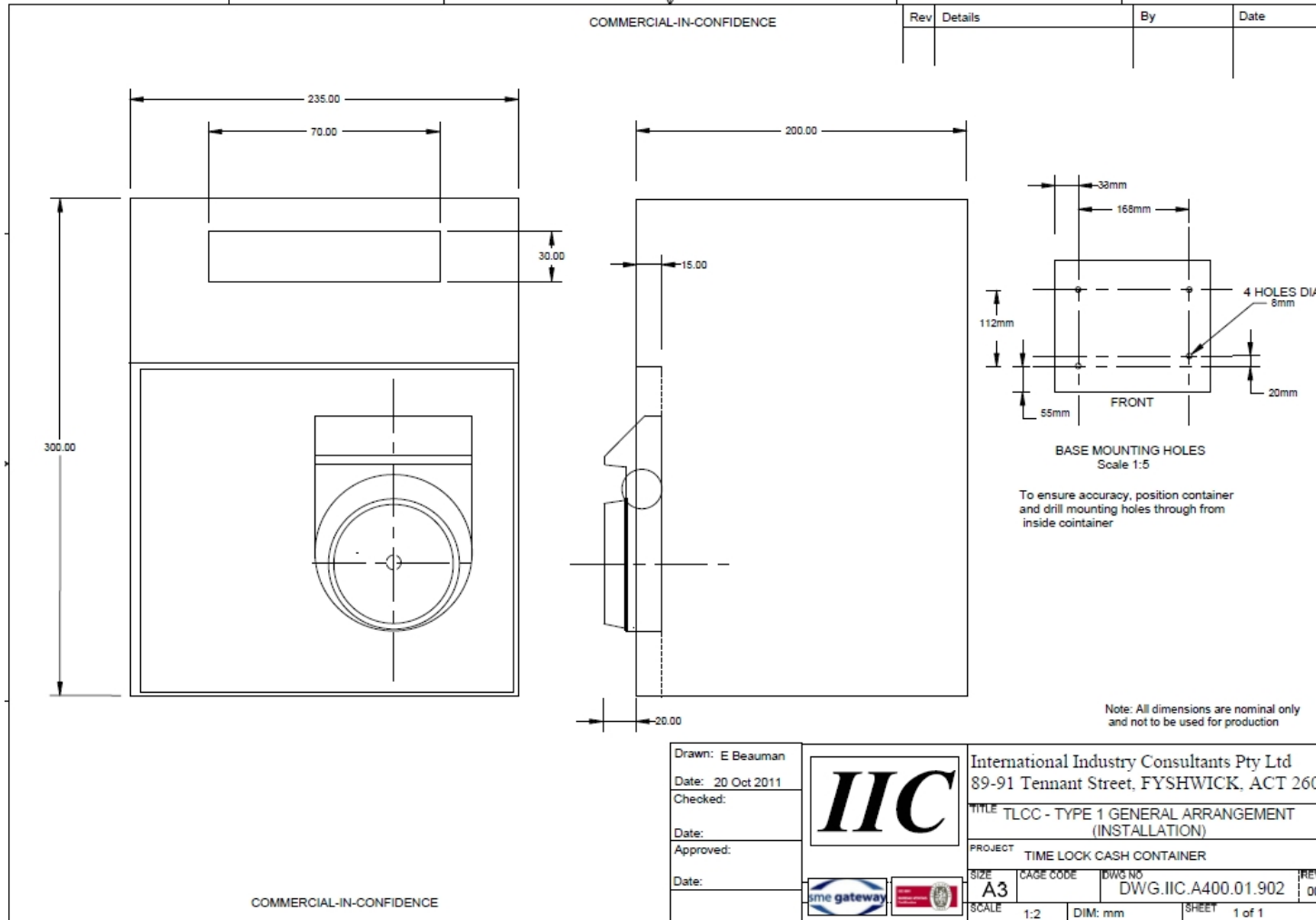


Figure 3 Type 1 Container Installation Diagram